

INLGMD042IRWF

2 x 4.1 MP Dual-Directional HD IR Fixed Network Camera

- High quality image with 2x4MP resolution, 1/3.0" CMOS sensor
- Single IP with dual channels; Non Stitched View
- H.265+ & H.264 encoding
- 130dB true WDR technology enables clear image in strong light scene
- Both channels support intelligent perimeter protection, include cross line, intrusion, enter area, leave area detection
- Built-in 2 microphones

Unify your Security Solution

You asked, we listened. Tailored especially for you, Legend is our **fully NDA compliant brand**. It offers our latest technologies in a robust build with edge storage capacity. Legend by Inaxsys provides H.265+ compression and easy installation.

Smart H.265+ & H.264+

LEGEND smart encoding technology provides high-quality video with higher efficiency and also reduces the cost of storage space and transmission bandwidth by adopting an advanced algorithm of auto stream control.

Wide Dynamic Range

This camera offers vivid imaging in any scenario. Using industry-leading WDR technology, you'll be able to capture the subject in the most difficult lighting conditions.



**NDA
Compliant**



*Design and specifications are subjects to change without notice.



INLGMD042IRWF

2 x 4.1 MP Dual-Directional HD IR
Fixed Network Camera

Product Specifications

Camera					
Image Sensor	2 x 1/3.0", 4.0 megapixel, progressive scan, CMOS				
Scanning System	Progressive				
Electronic Shutter Speed	Auto/Manual, 1 ~ 1/100 000s				
Minimum Illumination	Colour: 0.002 (F1.6, AGC ON) 0 lux with IR				
S/N Ratio	More than 52dB				
IR Distance	Distance up to 30m (98ft)				
Wavelength	850nm				
IR On/Off Control	Auto/Manual				
Wide Dynamic Range	130dB				
Camera Features					
Backlight Compensation	Supported				
White Balance	Auto / Outdoor / Fine Tune / Sodium Lamp / Locked / Auto2				
Digital Noise Reduction	2D/3D DNR				
Flip	Normal / Vertical / Horizontal / 180° / 90° Clockwise / 90° Anti-clockwise				
Defog	Digital Defog				
Privacy Masking	Up to 4 areas				
OSD	Up to 8 OSDs				
HLC	Supported				
Smart IR	Supported				
Day/Night	IR-cut filter with auto switch (ICR)				
ROI	Up to 8 areas				
Lens					
Lens Type	Fixed				
Focal Length	2.8mm				
Adjustment Angle	Pan: 0° ~ 180°; Tilt: 0° ~ 66°; Rotate: 0° ~ 346°				
DORI Distance	Lens (mm)	Detect	Observe	Recognize	Identify
	2.8	63.0m(206.7ft)	25.2m(82.7ft)	12.6m(41.3ft)	6.3m(20.7ft)
Video					
Compression	H.265+ / H.265 / H.264 / MJPEG				
H.264 code profile	Baseline profile, Main profile, High profile				
Frame Rate	Main Stream: 4MP(2688x1520) Max 25fps; 4MP(2560x1440) Max 25fps; 3MP(2304x1296) Max 30fps; 1080P (1920x1080), Max 30fps; 720P(1280x720) Max 30fps				
	Sub Stream: 720P (1280x720), Max 30fps; D1 (720x576), Max 30fps; 640x360,Max 30fps; 2CIF(704x288), Max 30fps; CIF(352x288), Max 30fps;				
	Third Stream: D1 (720x576), Max 30fps; 640x360, Max 30fps; 2CIF (704x288), Max 30fps; CIF (352x288), Max 30fps				
Bit Rate	128 Kbps ~16 Mbps				
Alarm					
Alarm I/O	1/1				

*Design and specifications are subjects to change without notice.



INLGMD042IRWF

2 x 4.1 MP Dual-Directional HD IR Fixed Network Camera

Product Specifications

Network	
Ethernet	1 RJ45 10M/100M Base-TX Ethernet
Protocol	IPv4,IPv6, IGMP, ICMP, ARP, TCP, UDP, DHCP, PPPoE, RTP, RTSP, RTCP, RTMP, DNS, DDNS, NTP, FTP, UPnP, HTTP, HTTPS, SMTP, 802.1x, SNMP, QoS, SSL/TLS, SSH
User/Host	Up to 32 users. 3 user levels: administrator, common user and operator
Security	Password protection, Strong password, HTTPS encryption, Export operation logs, Basic and digest authentication for RTSP, Digest authentication for HTTP, TLS 1.2, WSSE and digest authentication for ONVIF
Compatibility	ONVIF (Profile S, Profile T, Profile G), API,SDK
Management Software	LEGEND VMS, Arkiv
Web Browser	Plug-in required live view: IE 10 and above, Chrome 45 and above, Firefox 52 and above, Edge 79 and above
	Plug-in free live view: Chrome 57.0 and above, Firefox 58.0 and above, Edge 16 and above
Audio	
Audio I/O	Input: impedance 35kΩ; amplitude 2V [p-p]
	Output: impedance 600Ω; amplitude 2V [p-p]
Audio Compression	G.711U, G.711A
Two-way Audio	Supported
Suppression	Supported
Audio Bitrate	64 Kbps
Sampling Rate	8KHZ
Built-in Microphones	Two Mics
Storage	
Edge Storage	Micro SD slot, up to 256 GB
Network Storage	ANR, NAS(NFS)
AI	
Smart intrusion prevention	Support false alarm filtering: Line crossing detection, Intrusion detection, Enter Area detection, Leave Area detection
Recognition	Face Capture (Only Channel 1)
Statistical Analysis	People counting, support people flow counting and crowd density monitoring(Only Channel 1)
Smart Features	
Detection	Motion detection, Ultra motion detection, Tampering alarm, Audio detection
General Function	Watermark, IP address filtering, tampering alarm, access policy, ARP protection, RTSP authentication, user authentication
Certifications	
Certifications	CE-EMC (EN 55032, EN 61000-3-3,EN IEC 61000-3-2,EN 55035) FCC (FCC 47 CFR part15 B) CE-LVD (EN 62368-1) UL/CUL (UL 62368-1, CAN/CSA C22.2 No. 62368-1) CE-RoHS (2011/65/EU;(EU)2015/863); WEEE (2012/19/EU)
General	
Power Supply	DC 12V±25%, PoE (IEEE 802.3af)
Power Consumption	Less than 9.1W
Working Environment	-30° C to +60° (-22°F ~ 140°F) / Less than 95% RH (non-condensing)
Ingress & Vandal Protection	IP67 & IK10
Weight	0.62kg(1.37lb)
Dimensions	176×104×72mm (6.9"× 4.1"×2.8")

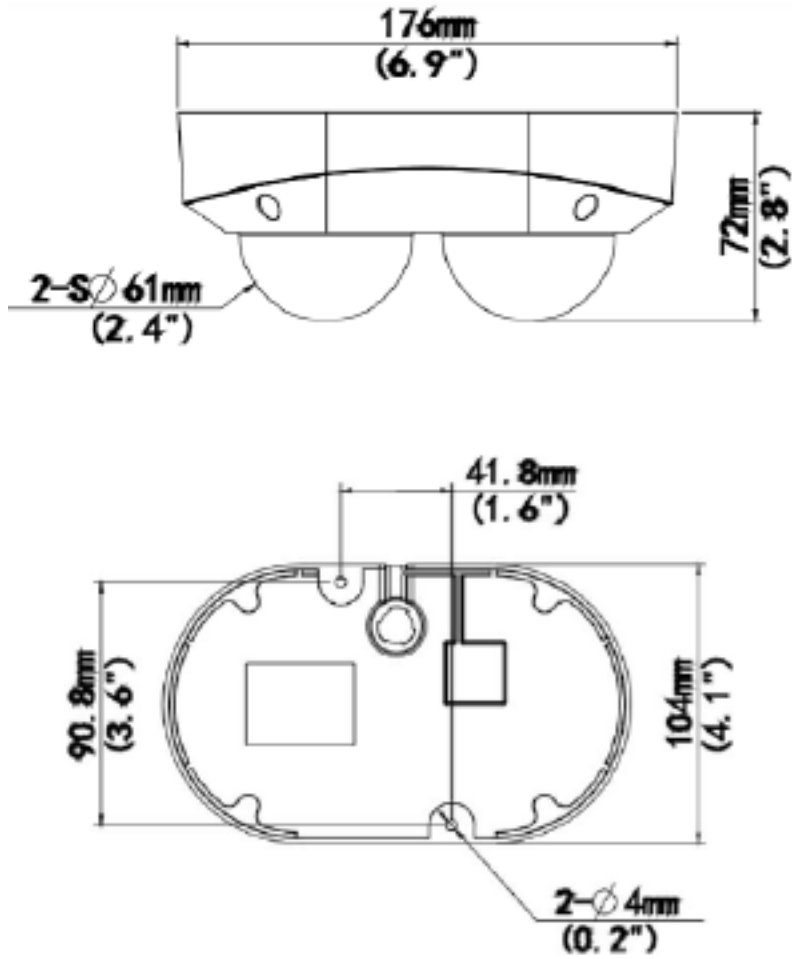
*Design and specifications are subjects to change without notice.



INLGMD042IRWF

2 x 4.1 MP Dual-Directional HD IR
Fixed Network Camera

Product Specifications



XLGJB08
Junction Box



XLGA01
Waterproof Joint



XLGSE24
Pendant Mount



XLGCM24
Ceiling Mount



VUSD256G
Micro SD Card



XLGSE24-A
Pendant Mount

*Design and specifications are subjects to change without notice.

